

D2400

Innovative New Strapping Machine for Reliable and "Jam-Free" Operations



Features

- New state of the art digital display includes a 0 tension button for sensitive bundles and up / down arrow keys for simple tension adjustment.
- Ejector finger, located in welding head, allows for runs where extremely low levels of tension are required, automatically detecting and correcting strap problems; and ensuring- reliable, jam-free operations.
- High speed cycle time, capable of more than 50 cycles per minute.
- Optional auto-bundle sensor, senses height and adjusts tension within range.
- Easy-strap feeding, strap is inserted into the feeding slot and the machine automatically feeds itself.
- Equipped with safety strap cutters outside the machine; no knives or scissors are necessary to cut the strap.
- Automatic mechanism removes any leftover strap when strap coil is finished.
- External dispenser allows you to determine when strap is low. The external location, coupled with adjustable machine height, allows for convenient and safe coil changes.
- Strap cycle can be initiated by photo eye switch or foot bar.
- The machine table height can be adjusted up or down, from 29.5" to 35.4", to accommodate your requirements.
- Durable machine with reinforced arch and thick plates holds up to demanding environments.
- Four 3" swivel casters allow for easy mobility.
- Accepts 5mm, 6mm or 9mm strapping, requiring no additional parts or costs to change the strap size.
- Runs on 110V single phase.

Dynaric, Inc.

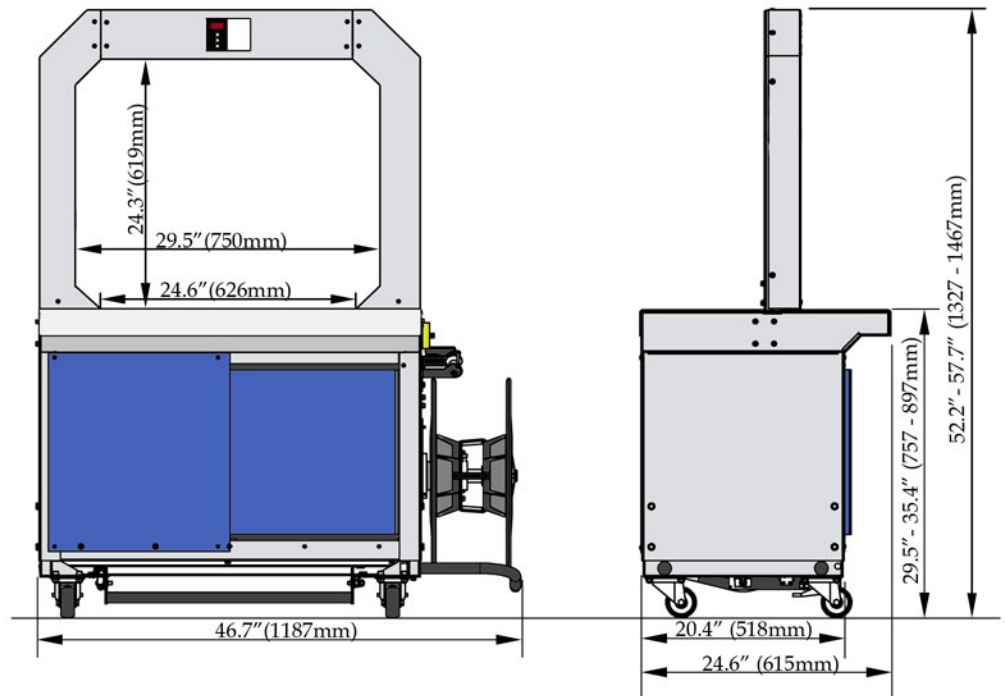


5740 Bayside Road, Virginia Beach, VA 23455
Phone: (800) 526-0827 Fax: (757) 363-8016
E-mail: order@dynaric.com
Web address: www.dynaric.com

D2400

Available Arch Sizes

Width		Height
500	x	300
500	x	400
600	x	400
600	x	600
800	x	300
800	x	400
800	x	600
800	x	800
1000	x	400
1000	x	600
1250	x	600



Specifications

Overall Width:	24.6" (615mm)
Overall Length:	46.7" - 72.5" (1187 - 1844mm)*
Overall Height:	58.6" - 64.5" (1327 - 1642mm)*
Table Height:	29.5" - 35.4" (757 - 897mm)
Weight:	375 lbs. - 540 lbs. (170 - 245kg.)*
Cycle Time:	1.1 seconds*
Cycle Initiation:	Photo eye sensor or Foot bar
Strap Size:	1/4" & 3/8" (5mm - 9mm)**

Package Size:	Max. Governed By Arch Min. 1.5" H x 3" W
Tension:	Adjustable electronic control
Seal Head Location:	Bottom
Sealing Method:	Heat Seal
Mobility:	3" Casters
Dispenser:	Externally located - 8" or 9" I.D./8" Face/18" O.D.
Power:	110 Volt Single Phase

* Depending on arch size

** Must be specified when ordering

Dynaric, Inc.



®

5740 Bayside Road, Virginia Beach, VA 23455
 Phone: (800) 526-0827 Fax: (757) 363-8016
 E-mail: order@dynaric.com
 Web address: www.dynaric.com